

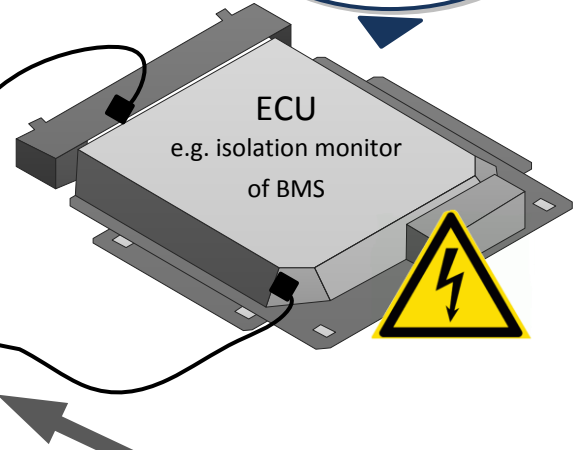
# R\_ISO-Check Rev.2

Adjustable 2-channel resistor card for isolation testing in the high voltage area.



Mixed casing with 4ch R-ISO-Check 14ch NTC/PTC-Sim. (as example)

Perfect for testing Isolation Monitors

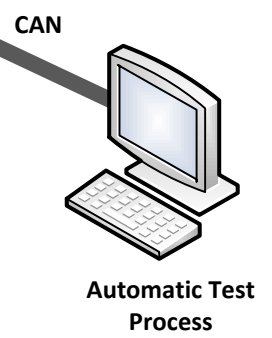


2 independent adjustable resistor channels, controlled by CAN interface

40 kΩ ... 65 MΩ  
1kΩ resolution

Automatic detection of voltage range, measurement is non-influencing to the isolation

Self protection



## Technical data

Communication	CAN bus 500 kBd / 1 MBd
Value range	40kOhm ... 65 MOhm over whole range of 1000V
Accuracy	+/-1 %, 100 ppm/°C @ 40 kΩ to 16 MΩ
Resolution	1 kOhm
Channels per board	2

Electrical isolation	2kV
Voltage measurement up to 1000V, Accuracy +/- 5%	
Voltage measurement non-influencing to electrical isolation	
Bar graph display on front panel	
Self-protection of each channel	

\*Attention: Isolation resistor can be lower in combination with other systems, if they influence with their own isolation resistor. Then these isolation resistor(s) act in parallel.

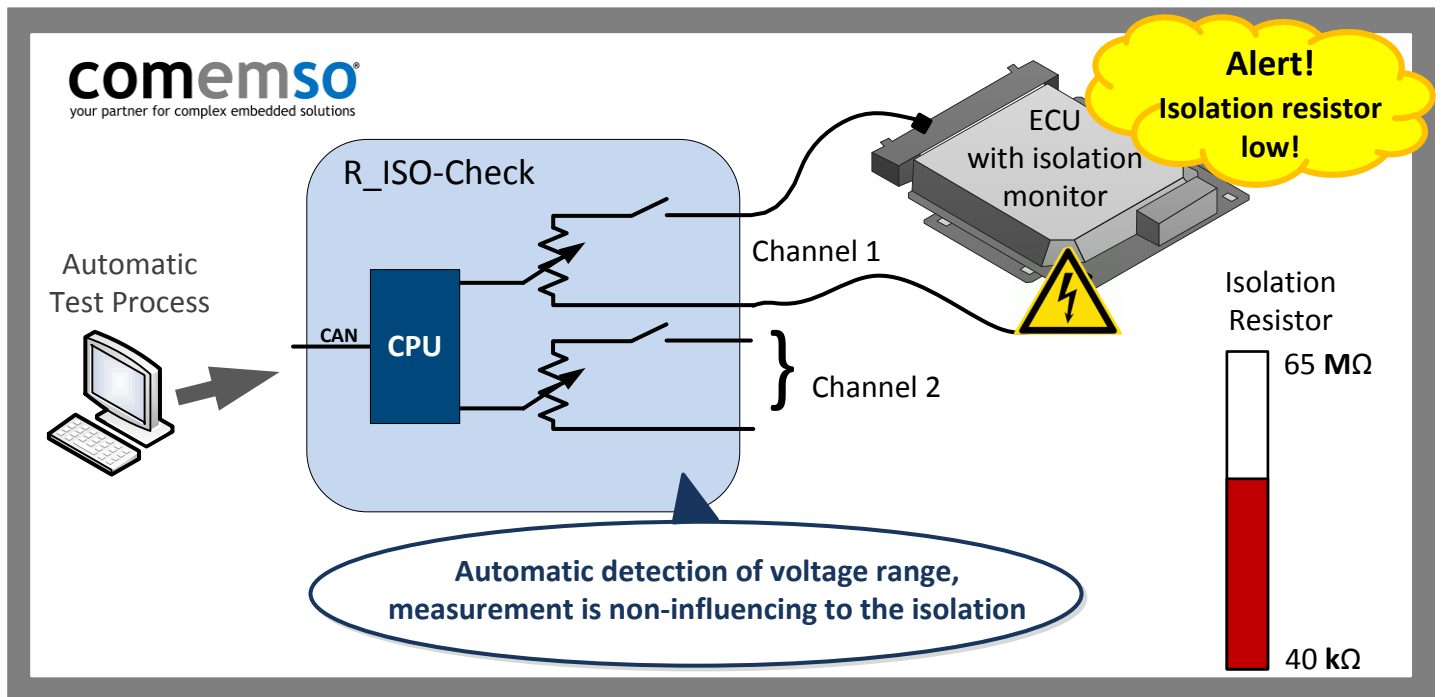
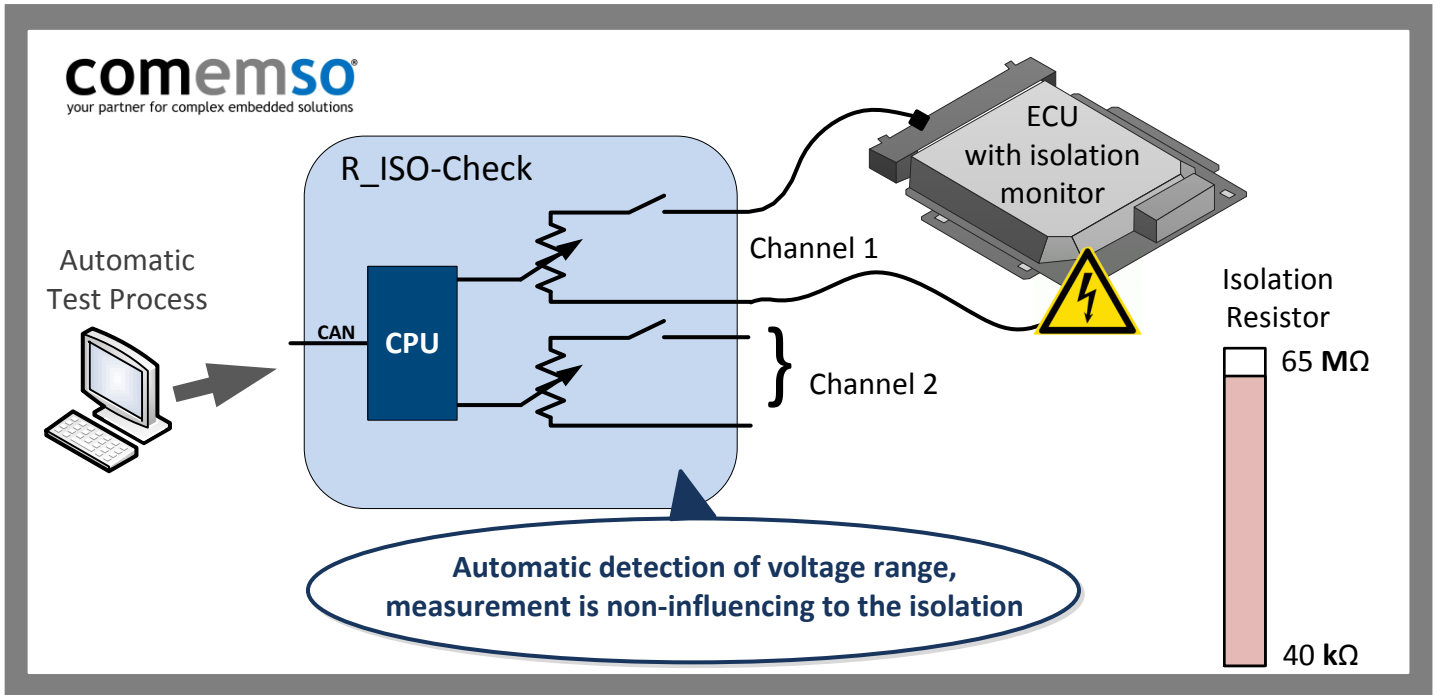
Please contact us for more information:

comemso GmbH  
 Anita.Athanasas@comemso.de or sales@comemso.de  
 Phone +49 711 500 900 40 / Mobile +49 1578 500 1181  
 www.comemso.com

comemso\_R\_ISO-Check\_Flyer\_eng\_2018\_06\_11

# Simulation of Isolation Resistor

## R-ISO-Check



Please contact us for more information:

comemso GmbH  
Anita.Athanasas@comemso.de or sales@comemso.de  
Phone +49 711 500 900 40 / Mobile +49 1578 500 1181  
www.comemso.com

**comemso**<sup>®</sup>  
your partner for complex embedded solutions